

Clamp Type Non-Retention Ball Valve

卡箍式无滞留球阀



手动快装卡箍式无滞留球阀
Manual Clamped Clamp
Type Non-Retention Ball Valve



手动快装卡箍式无滞留球阀带排污口
Manual Clamped Clamp Type
Non-Retention Ball Valve With Drain

应用:

该类型阀门适用于生物制药领域。

设计特点:

- 阀体组合卡箍连接
- 无需专业工具即可拆卸阀门
- 操作扭矩小
- 可带排出口
- 密封圈材质: PTFE, 符合 FDA177.2600
- 连接方式: 快装、焊接、螺纹
- Size: 1/2"-4"/DN15-DN100
- 标准: 3A、DIN、SMS、IDF、RJT、BPE、ISO
- 无论何种连接方式, 阀体都可更换, 且不会改变阀门的总长度

Applications:

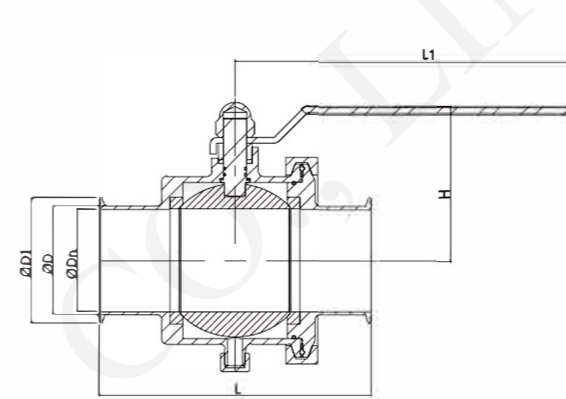
This kind of ball valve is applied to pharmacy and biotechnology industries.

Design Features:

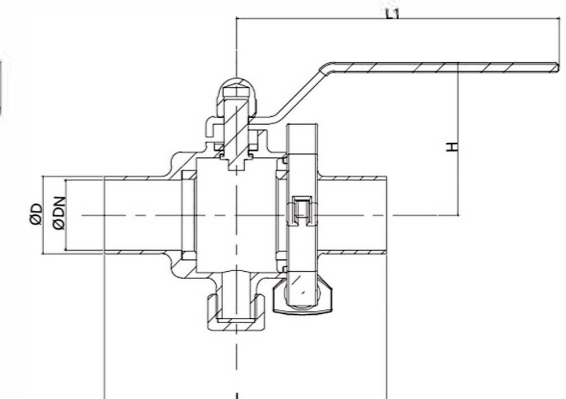
- Valve bodies combined with clamp connection.
- Easily disassembled without special tools.
- Small Operating torque.
- With cleaning and drainage port.
- Seal Material: PTFE. it is according to FDA177.2600
- Connection: clamp, weld, thread
- Size: 1/2"-4"/DN15-DN100
- Standard: 3A, DIN, SMS, IDF, RJT, BPE, ISO
- The valve body can be replaced in any connections, and the length will not change.

Clamp Type Non-Retention Ball Valve

卡箍式无滞留球阀



JOV-BHM2004D-22



JOV-BHM2004D-11

手动卡箍式无滞留球阀
Manual Clamp Type Non-Retention Ball Valve

焊接 / 快装
Weld/Clamp

3A

Size	ØDn	ØD	ØD1	L	L1	H
1/2"	9.4	12.7	25.2	90	110	60
3/4"	15.8	19.1	25.2	93	114	62
1"	22.1	25.4	50.5	124	140	63
1.25"	28.5	31.8	50.5	128	140	70
1.5"	34.8	38.1	50.5	139	160	75
2"	47.5	50.8	64	165	175	94
2.5"	60.2	63.5	77.5	190	225	121
3"	72.9	76.2	91	210	250	126
4"	97.4	101.6	119	260	333	147

