

## 应用 Applications

- 该泵为卫生设计侧槽，自吸的泵，适用于食品加工，制药和化学工业中。
- 它专门设计用于用来抽吸含有空气或气体的物料，它也可以被用于带优先抽吸及过滤设备的负压吸入中。
- 它可用于酒，油，糖浆，挥发物，如酒精，丙酮和其他溶剂，或是温度临近沸点的其他物料。但是，该泵的主要用途是用于CIP的回收。
- The pump is a sanitary side channel self priming pump, it's suitable for food processing, pharmacy and chemical industry.
- It is specially designed for pumping materials containing air or gas, and it can also be used for negative suction with prior priming as well as with filtration equipment.
- It can be used with wine, oil, syrups, volatile products such as alcohol, acetone and other solvents, or with products at temperatures close to boiling point. However, the main use of this pump is for CIP return.

电机参数：安装型号B35,频率50HZ/60HZ。  
Motor type: B35, Motor frequency 50HZ/60HZ.

电机功率 (KW) 见表格：  
Motor power(KW) refer to table below:

功率(kW) Power(kW)	电压备注 Voltage	功率(kW) Power(kW)	电压备注 Voltage
0.75		4	
1.1	210V~230V/50HZ	4.5	360V~400V/50HZ
1.5	360V~400V/50HZ	7.5	630V~690V/50HZ
2.2	420V~460V/60HZ	11	420V~460V/60HZ
3		15	

## 技术规格 Technical specifications

- 最大流量: 30m<sup>3</sup>/h / 132 GPM
- 最高扬程: 40 H(M)
- 最大压力: 3Bar/ 43 PSI
- 最高温度: 120°C/ 248 °F
- 最高转速: 1750 min
- 最大吸程: 8m / 22 ft
- Max.flow:30m<sup>3</sup>/h / 132 GPM
- Max.head:40 H(M)
- Max.pressure:3Bar/ 43 PSI
- Max.operating temp.:120°C/ 248 °F
- Max. rev.:1750 min
- Max.suction height:8m / 22 ft

## 选项 Options

- 机械密封圈 SIC/SIC
- 垫圈 FPM(Viton) and PTFE
- 进出口连接: 卡箍、螺纹、法兰, DIN, SMS, 3A, RJT
- Mechanical seal in SIC/SIC
- Gaskets in FPM(Viton) and PTFE
- Inlet & outlet connections: Clamp,Thread,Flange,DIN, SMS,3A,RJT

## 工作原理 Operating Principles

- 叶轮安置在入口泵体和文氏管套之间，它和泵轴装配起来旋转。
- 叶轮的旋转和侧槽的排列，在进口泵体内创造了一个负压，因而产生了泵的吸力。同时，流体以动能和压能的形式接收能量，从而推动它流经叶轮盖。
- The impeller is housed between the inlet body and the venturi casing and it rotates in conjunction with the pump shaft.
- The rotation of the impeller and arrangement of the side channel, creates a negative pressure inside the inlet body, which generates the suction force of the pump. At the same time, the fluid receives energy in the form of kinetic energy and pressure energy, and this impels it through the impeller casing.

## 设计和特点 Design and Features

- 电机外罩由冷成型板做成
- 不锈钢熔模铸造进口泵体和叶轮
- Case manufactured with cold-formed plate
- 机械密封圈可以防止弹簧和被抽吸流体之间的接触
- Stainless steel investment casting inlet body and impeller.
- 不锈钢机架
- Mechanical seal prevents contacting between the springs and the pumped fluid
- Stainless steel support

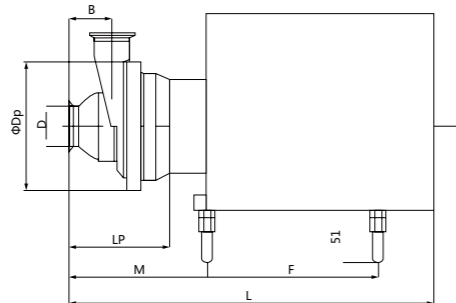
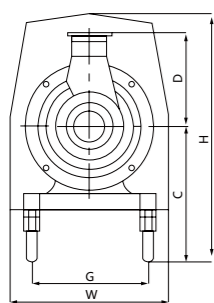
## 材质 Materials

- 与物料接触部位: AISI -316/304
- 其他部分: AISI-304
- 垫圈 (标准): EPDM (FDA)
- 机械密封圈 (标准): C/SIC/EPDM
- 内表面处理: 抛光处理
- 外表面处理: 喷砂处理
- Parts in contact with pumped media:AISI -316/304
- Other parts:AISI-304
- Gaskets (standard):EPDM (FDA)
- Mechanical seal (standard):C/SIC/EPDM
- Internal surface finish:Polished
- External surface finish:Sandblast



### 安装尺寸图

### Assembly Dimension



系列 CIP	泵头尺寸 Pump Specifition						外形安装尺寸 Assembly Dimension										3A 标准	
	功率 Power (kw)	进口 Inlet d" /DN	出口 Outlet d" /DN	ΦDp	Lp	mechanic sealsize	B	C	D	M	F	G	H	L	W	C	H	
CIP-B07	2.2	2" /50	2" /50	192	160	Φ32	71	230	142	233	300	160	430	652	260	262	462	
CIP-B010	3	2" /50	2" /50	192	160	Φ32	71	230	142	233	300	160	430	652	260	262	462	
CIP-B20	4	2.5" /65	2" /50	248	200	Φ32	83.5	210	185	254	300	190	422	642	260	242	454	
CIP-B25	5.5	2.5" /65	2.5" /65	248	200	Φ32	83.5	242	185	282	330	216	460	772	310	274	492	
CIP-B30	7.5	3" /80	2.5" /65	248	200	Φ32	83.5	242	185	282	330	216	460	772	310	274	492	

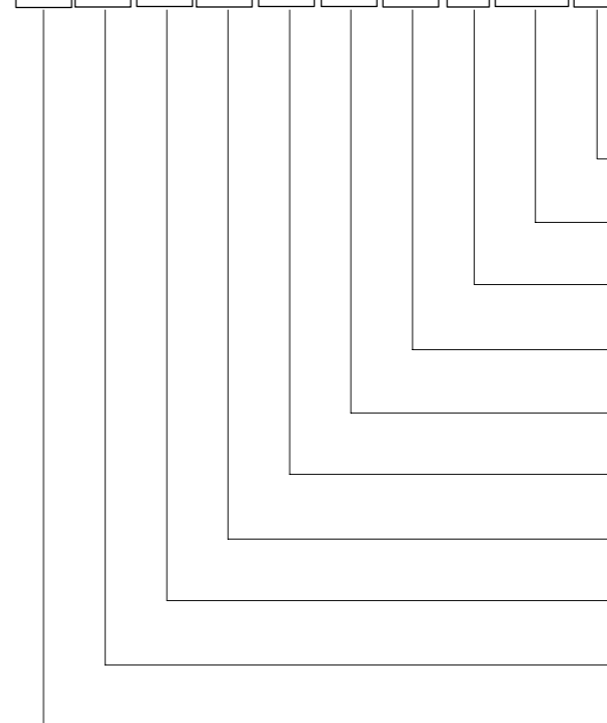
注意：详细选型详见选型表：以下表格里的尺寸为参考值，实际尺寸以实物为准。  
 Attention: Please refer to selection table for details of next page, The size in the following form is the reference value, the actual size is subjected to actual object.



### 自吸泵型号说明

### Model instruction of Self-priming pump

CIP B10 10t 24 4kw 380V 50hz M 2.5"/2.5" S



- 接口标准: DIN(D) SMS(S) 3A(A) RJT(R) ISO/IDF(I)
- Connection Standard: DIN(D), SMS(S), 3A(A), RJT(R), ISO/IDF(I)
- 进出口规格  
Inlet & Outlet Size
- 连接方式: 螺纹(M) 卡箍(C)
- Connection way: Threaded(M), Clamped(C)
- 电机频率: 50HZ;60HZ
- Motor frequency: 50HZ;60HZ
- 电压: 110V 220V 380V (详见选型表)
- Voltage: 110V 220V 380V(refer to selection table)
- 电机功率: 2.2Kw 3.0Kw 4.0Kw 5.5Kw.....
- Motor frequency: 2.2Kw 3.0Kw 4.0Kw 5.5Kw.....
- 扬程(详见选型表)
- Discharge head:(refer to selection table)
- 流量(详见选型表)
- Flow rate:(refer to selection table)
- 型号  
model
- 泵代码  
Pump code

例:CIP-B10-10T-24-3Kw-380V-50HZ-M-2"/2"-S  
 Sample:CIP-B10-10T-24-3Kw-380V-50HZ-M-2"/2"-S

### 自吸泵选型表

### Pump Selection Table

型号 Model	流量 (吨) FLOW rate(m <sup>3</sup> /h)	吸程 Absorption Process(M)	扬程 Discharge head(M)	功率 Power (kw)	进 / 出口 Inlet & Outlet
CIP-B07	7	6	24	2.2kw	2" /2"
CIP-B10	10	6	24	3kw	2" /2"
CIP-B20	20	6	24	4kw	2.5" /2.5"
CIP-B25	25	8	24	5.5kw	3" /2.5"
CIP-B30	30	8	24	7.5kw	3" /2.5"