

卫生级截止/换向阀 SANITARY CUT-OFF / REVERSING VALVE



应用 APPLICATIONS:

该类型阀门主要是为了让介质达到换向或截止停留的目的，因其优越的密封性和可清洁性，故广泛应用于各种卫生行业领域。

The series of valve are major let the medium reach the purpose of reversing or end stop, because the good sealability and cleanability, they are extensively use to different sanitary industry areas.

工作原理 WORKING PRINCIPLE :

气动截止 / 换向阀系列是将压缩空气所产生的能量转换为机械能，该机械能会驱动阀杆轴向运动，从而移动密封部件所处位置的不同会对管道口的开关形成控制，最终达到介质换向或停留的目的。

手动截止换向阀系列通过人为对手柄的操控，最终也是为了达到介质换向或停留的目的。

The series of pneumatic cut-off reversing valve change the energy which process by compressed air to the mechanical energy, the mechanical energy can drive the valve rod axial moving, thus move the different location of Seal elements,which can control the switch for inlet of pipeline,finally realise the purpose of medium reversing or stop.

The manual cut-off reversing valve series control by handle, also reach the purpose of medium reversing or stop at the end.

卫生级截止/换向阀 SANITARY CUT-OFF / REVERSING VALVE

材料 MATERIAL:

钢制部件：不锈钢304，不锈钢316

L密封件：四氟垫、O型密封圈

上隔膜：NBR隔膜和标准隔膜

下隔膜：PTFE,EPDM橡胶和标准隔膜

O型环：NBR隔膜和标准隔膜（备注：温度超过95度时，隔膜要选择用PTFE,O型环选择用EPDM）

Steel parts:stainless steel 304,stainless steel 316L

Seal: PTFE,O type seal rin Up diaphragm: NBR diaphragm and standard diaphragm

Down diaphragm: PTFE,EPDM and standard diaphragm

Otype ring:NBR diaphragm and standard diaphragm.(Remark: when the temperature beyond 95

degree,the diaphragm need choose PTFE,Otype ring choose EPDM.)

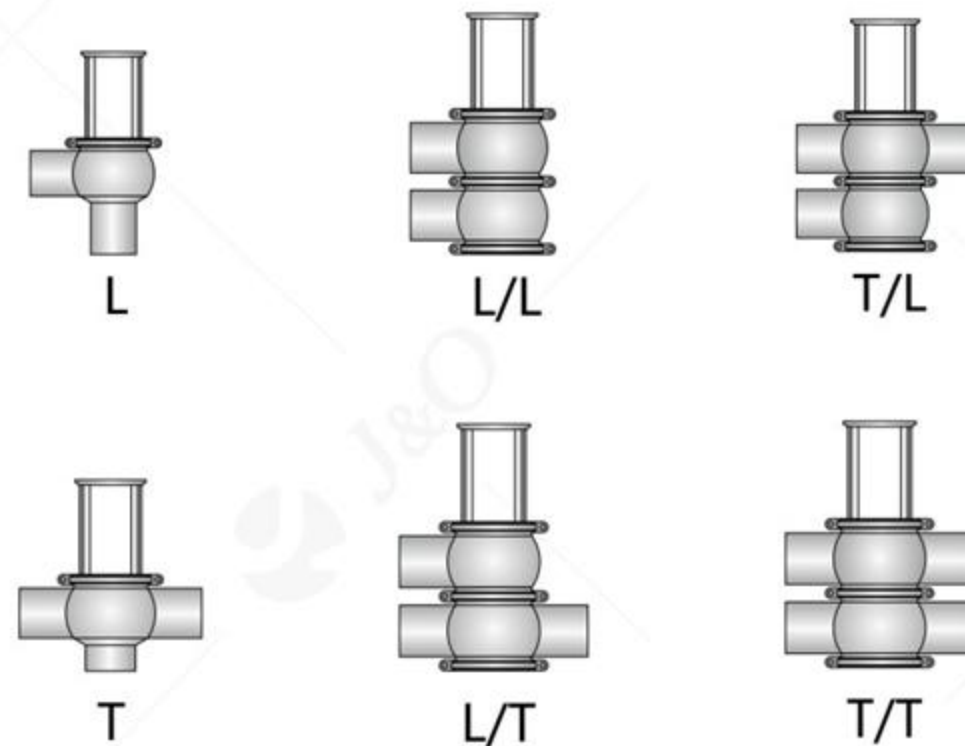
标准设计 STANDARD DESIGN :

有各标准的阀门系列可以向客户提供，即用于DIN标准系列，3A标准系列,SMS标准系列，ISO/IDF标准系列，BS/RJT标准系列，ASME/BPE等标准系列。该系列阀门有截止型和换向型两种阀门型式，而截止型的阀门可以制成带有两个或三个的管道接口，换向型的阀门可以制成带有三个到五个的管道接口，其多样性充分满足了市场的需要。

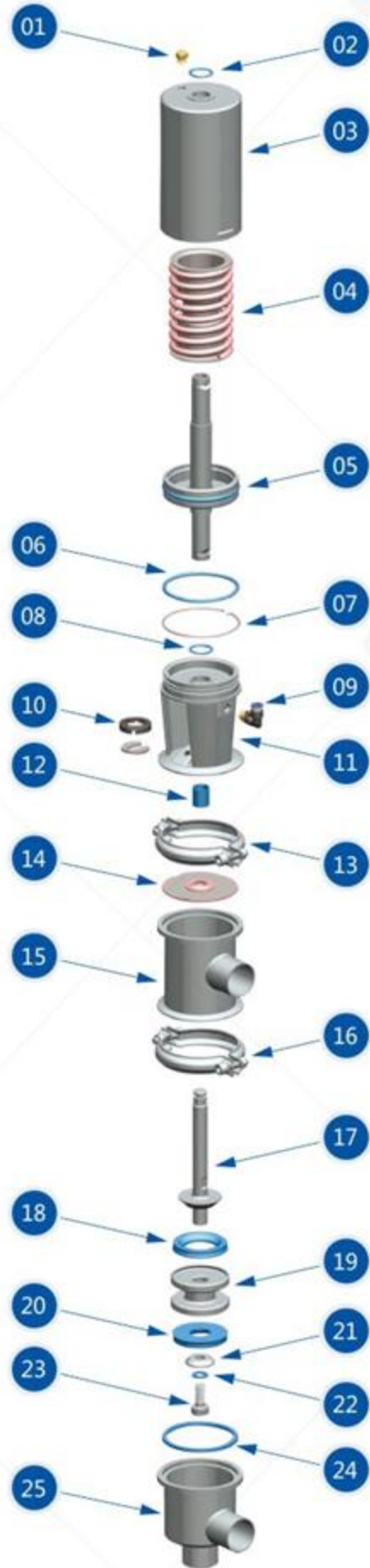
Various standards of valves can be provided to clients,DIN,3A,SMS,ISO/IDF,BS/RJT,ASME/BPE etc.

The series of valve have two types valve, that is the cut-off type and reversing type,the cut-off type can made of two or three pipeline connector, the reversing valve can made of three to five pipeline connector, their variety fully satisfied the needed of market.

FLOW TYPE:



卫生级截止/换向阀 SANITARY CUT-OFF / REVERSING VALVE

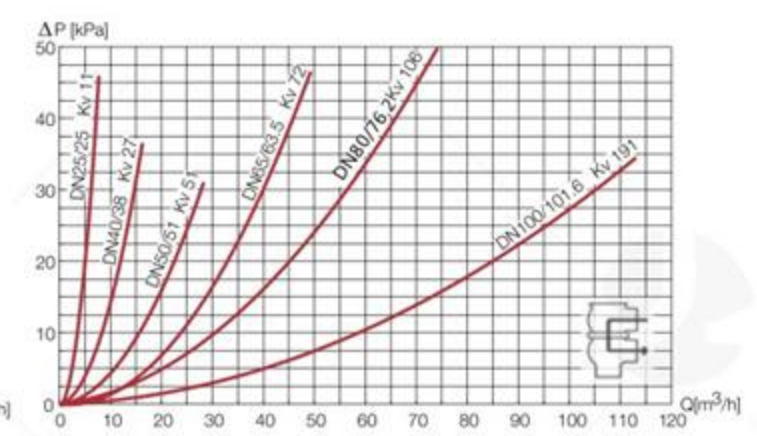
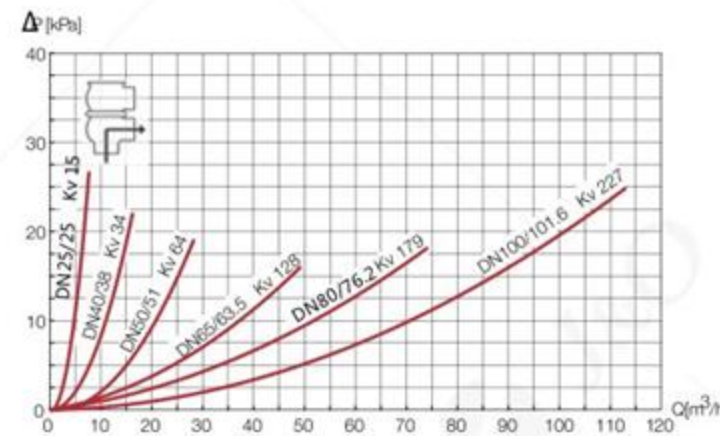
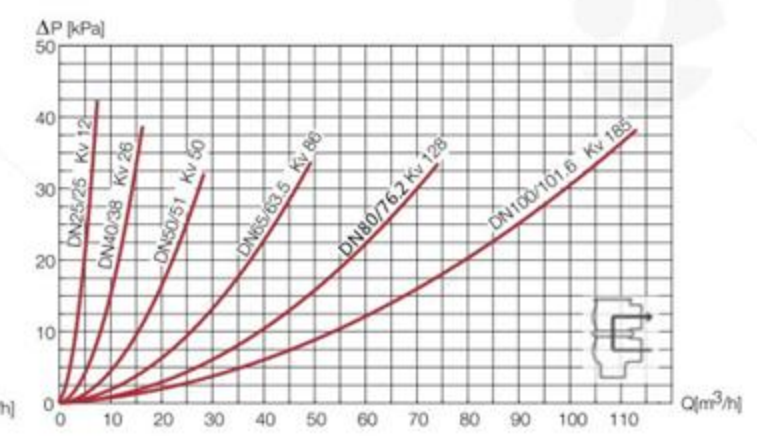
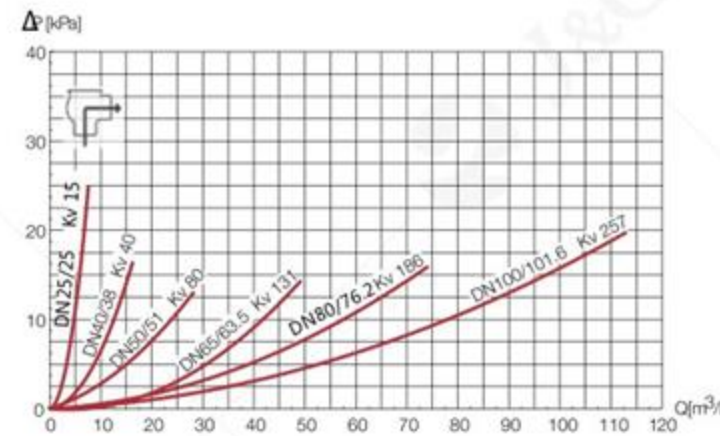
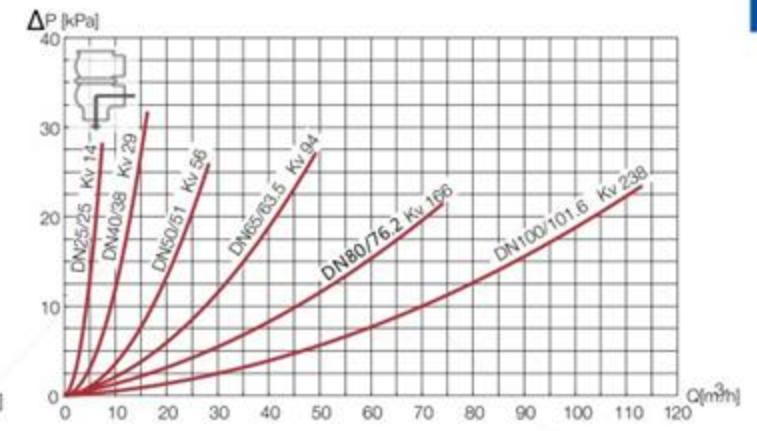
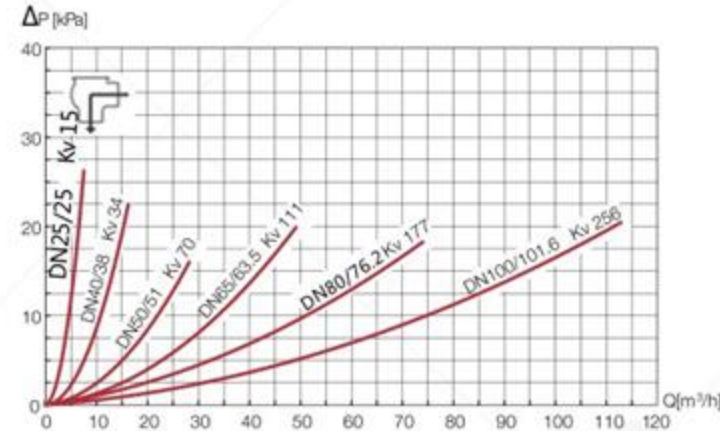


PARTS LIST

NO.	DESCRIPTION
01	气管接头 Gas-type Fitting
02	O型圈 O-type Ring
03	气缸 Air Cylinder
04	弹簧组件 Spring Component
05	活塞 Piston
06	O型圈 O-type Ring
07	锁紧丝 Lock Ring
08	O型圈 O-type Ring
09	气管接头 Gas-type Fitting
10	卡夹组件 Clamp Component
11	阀盖 Valve Cap
12	衬套 Coat
13	卡箍组件 Clamp Components
14	唇密封 Lip Seal
15	上阀体 Upper Valve Body
16	卡箍组件 Clamp Components
17	阀杆 Valve Rod
18	上部密封圈 Upper Seal
19	中部结构 Middle Structure
20	下部密封圈 Bottom Seal
21	垫圈 Gasket
22	O型圈 O-type Ring
23	螺钉 Screw
24	O型圈 O-type Ring
25	下阀体 Down Valve Body

卫生级截止/换向阀 SANITARY CUT-OFF / REVERSING VALVE

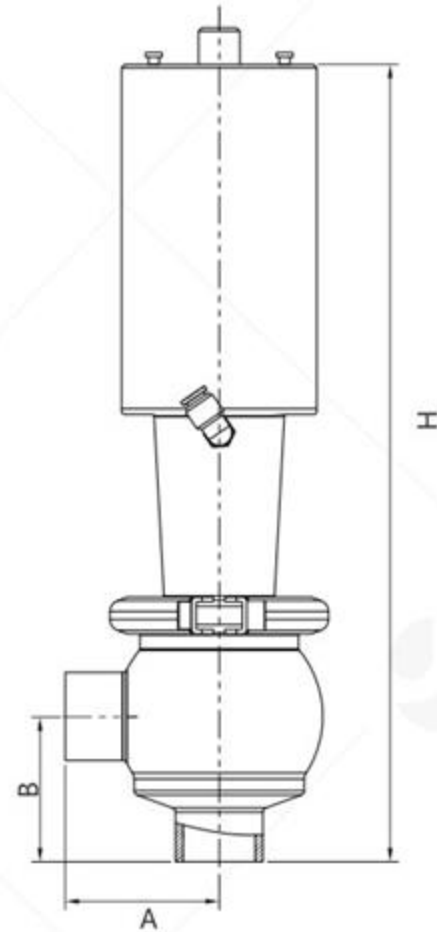
处理能力 / 压力降对比图 Capacity/Pressure Drop Diagrams



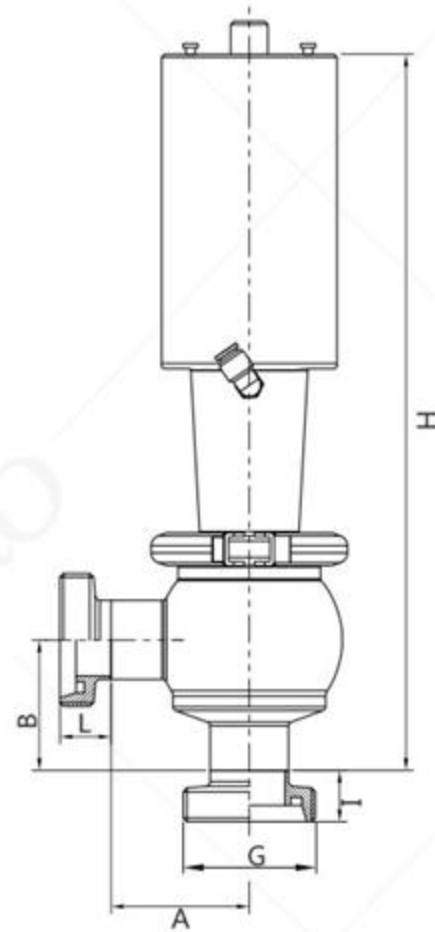
注意!
这些曲线图示数据的测定系基于:
介质:水(水温20°C)
测量:符合VDI 2173

Note!
The profile data base on:
Medium: Water (20°C).
Measurement: In accordance with VDI 2173.

卫生级截止/换向阀
SANITARY CUT-OFF / REVERSING VALVE



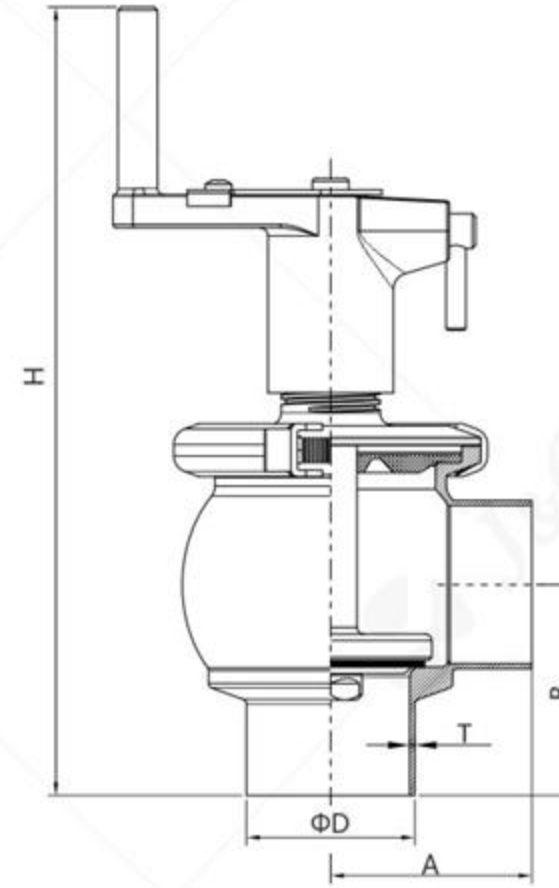
NO.RVR160101



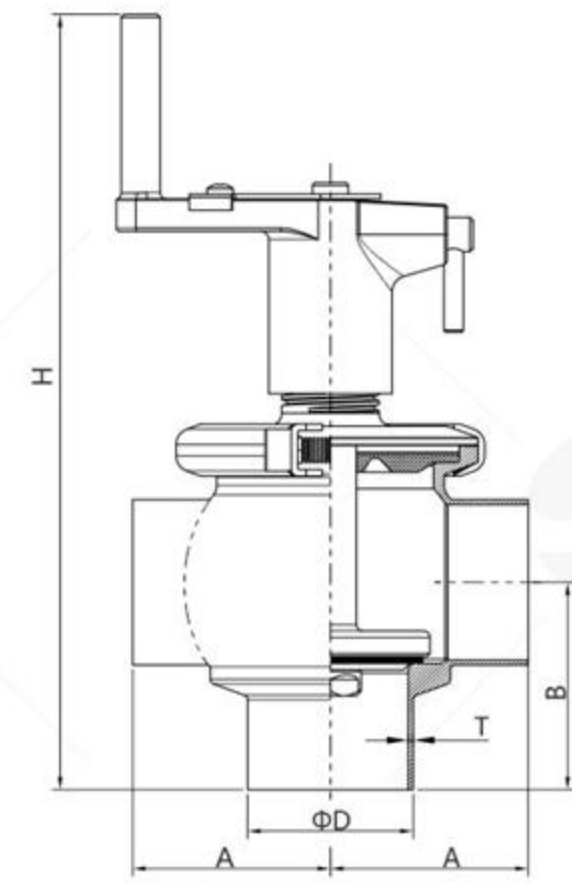
NO.RVR160102

DIN	SIZE						H	A	B
	3A		SMS		ISO				
DN40	1 1/2"		38		Φ38		485.0	68.0	62.0
G L	G	L	G	L	G	L			
RD65x1/6	22.0	50.65x1/8 TACME	18.3	RD60x1/6	20.0	50.6x1/8 TACME	21.5		
DN50	2"		51		Φ51		528.0	68.0	62.0
G L	G	L	G	L	G	L			
RD78x1/6	22.0	64.17x1/8 TACME	19.1	RD70x1/6	21.0	60.2x1/8 TACME	21.5		
	2 1/2"		63		Φ63		539.0	84.5	81.3
G L	G	L	G	L	G	L			
		77.67x1/8 TACME	22.2	RD85x1/6	22.0	77.7x1/8 TACME	21.5		
DN65	3"		76		Φ76		585.0	93.5	93.5
G L	G	L	G	L	G	L			
RD95x1/6	24.0	91.19x1/8 TACME	23.1	RD98x1/6	24.0	91.2x1/8 TACME	21.5		
DN80							596.0	118.5	115.0
G L									
RD110x1/4	28.0								
DN100	4"		102		Φ102		623.0	118.5	115.0
G L	G	L	G	L	G	L			
RD130x1/4	28.0	119.25x1/6 TACME	26.2	RD125x1/4	26.0	118.4x1/8 TACME	21.5		

卫生级截止/换向阀
SANITARY CUT-OFF / REVERSING VALVE



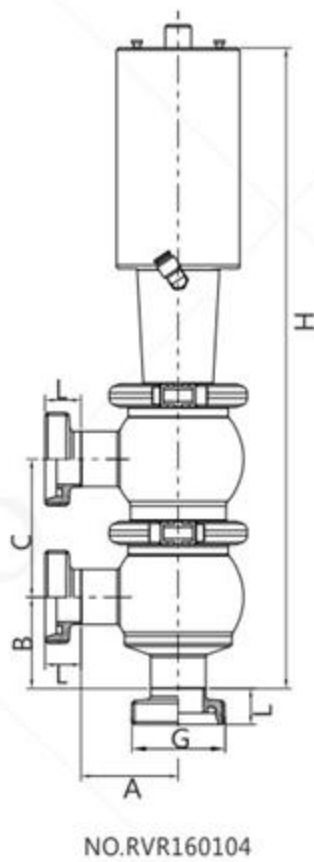
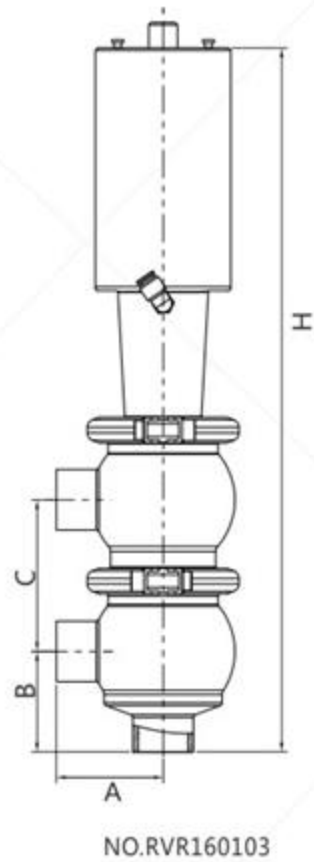
NO.RVR160201



NO.RVR160202

DIN	SIZE			H	A	B
	3A	SMS	ISO			
DN25	1"	25	Φ25	223.0	68.0	62.0
DXT	DXT	Dx T	D x T			
28X1.5	25.4X1.65	25.4x1.5	25.4x1.5			
DN32	1 1/4"	32	Φ32	223.0	68.0	62.0
DXT	DXT	Dx T	D x T			
34X1.5	31.8X1.65	31.8x1.5	31.8x1.5			
DN40	1 1/2"	38	Φ38	223.0	68.0	62.0
DXT	DXT	Dx T	D x T			
40X1.5	38.1X1.65	38.1x1.5	38.1x1.5			
DN50	2"	51	Φ51	223.0	68.0	62.0
DXT	DXT	Dx T	D x T			
52X1.5	50.8X1.65	50.8x1.5	50.8x1.5			

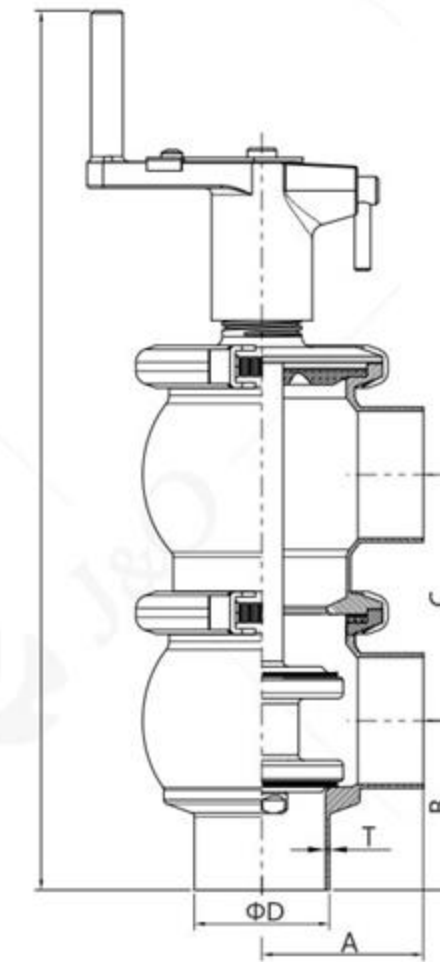
卫生级截止/换向阀
SANITARY CUT-OFF / REVERSING VALVE



气动换向阀 PNEUMATIC REVERSING VALVE

DIN	SIZE				H	A	B	C
	3A	SMS	ISO					
DN40 G L	1 1/2" G L	38 G L	Φ38 G L		552.0	68.0	62.0	93.0
RD65X1/6 22.0	50.65 x1/8 TACME 18.3	RD60X1/6 20.0	50.6 x1/8 TACME 21.5					
DN50 G L	2" G L	51 G L	Φ51 G L		604.0	68.0	62.0	93.0
RD78X1/6 22.0	64.17 x1/8 TACME 19.1	RD70X1/6 20.0	64.2 x1/8 TACME 21.5					
	2 1/2" G L	63 G L	Φ63 G L		628.0	84.5	81.3	95.0
	77.67x1/8 TACME 22.2	RD85X1/6 22.0	77.7 x1/8 TACME 21.5					
DN65 G L	3" G L	76 G L	Φ76 G L		686.0	93.5	93.5	116.0
RD95X1/6 24.0	91.19x1/8 TACME 23.1	RD98X1/6 23.0	91.2 x1/8 TACME 21.5					
DN80 G L					707.0	118.5	115.0	138.0
RD110X1/428.0								
DN100 G L	4" G L	102 G L	Φ102 G L		753.0	118.5	115.0	138.0
RD130X1/428.0	119.25x1/6 TACME 26.2	RD125X1/426.0	118.4 x1/8 TACME 21.5					

卫生级截止/换向阀
SANITARY CUT-OFF / REVERSING VALVE



手动换向阀 Manual Reversing Valve

DIN	SIZE				H	A	B	C
	3A	SMS	ISO					
DN25 DXT 28X1.5	1" DXT 25.4X1.65	25 DxT 25.4x1.5	Φ25 DxT 25.4x1.5		320.0	68.0	62.0	93.0
DN32 DXT 34X1.5	1 1/4" DXT 31.8X1.65	32 DxT 31.8x1.5	Φ32 DxT 31.8x1.5		320.0	68.0	62.0	93.0
DN40 DXT 40X1.5	1 1/2" DXT 38.1X1.65	38 DxT 38.1x1.5	Φ38 DxT 38.1x1.5		320.0	68.0	62.0	93.0
DN50 DXT 52X1.5	2" DXT 50.8X1.65	51 DxT 50.8x1.5	Φ51 DxT 50.8x1.5		320.0	68.0	62.0	93.0