

◆ 手动无菌罐底阀 Manual sterile tank bottom valve
◆ 气动无菌罐底阀 Pneumatic sterile tank bottom valve



- ◆ 应用 Application
- ▶ 该款无菌罐底阀广泛用于生物制药，发酵，精细化工等行业。
The aseptic tank bottom valve is widely used in biopharmaceuticals, fermentation, fine chemicals and other industries.
- ◆ 设计与特点 Design and features
- ▶ 隔膜式密封
Diaphragm seal
 - ▶ 选用3M-PTFE密封材料 (FDA证书)
3M-ptfe sealing material (FDA certificate)
 - ▶ 无死角自排净通道
No dead Angle self-draining channel
 - ▶ 气动装置开启位置可视
Pneumatic device opening position can be seen

◆ 球型手动罐底阀 Ball manual tank bottom valve
◆ 球型气动罐底阀 Ball pneumatic tank bottom valve

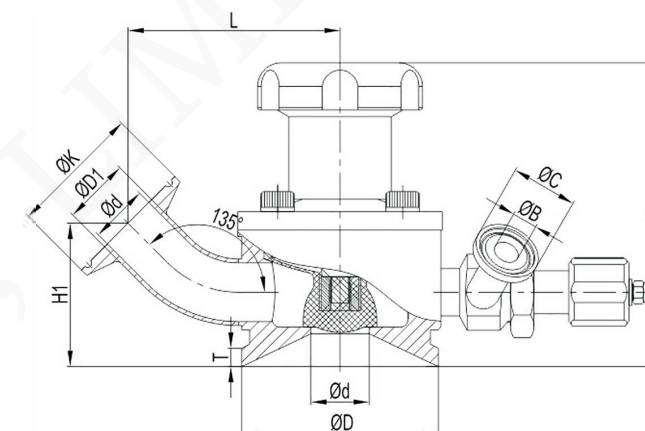


- ◆ 应用 Application
- ▶ 该款无菌罐底阀广泛用于生物制药，发酵，精细化工等行业。
The aseptic tank bottom valve is widely used in biopharmaceuticals, fermentation, fine chemicals and other industries.
- ◆ 设计与特点 Design and features
- ▶ 法兰可360° 任意旋转
Diaphragm seal
 - ▶ 流道更加快速，顺畅
3M-ptfe sealing material (FDA certificate)
 - ▶ 无死角自排净通道
No dead Angle self-draining channel
 - ▶ 快拆式卡箍设计
Pneumatic device opening position can be seen
 - ▶ 气动装置开关位置可以反馈
Pneumatic device opening position can be seen



◆ 弯头型手动罐底阀 Elbow type manual tank bottom valve
◆ 弯头型气动罐底阀 Elbow type pneumatic tank bottom valve

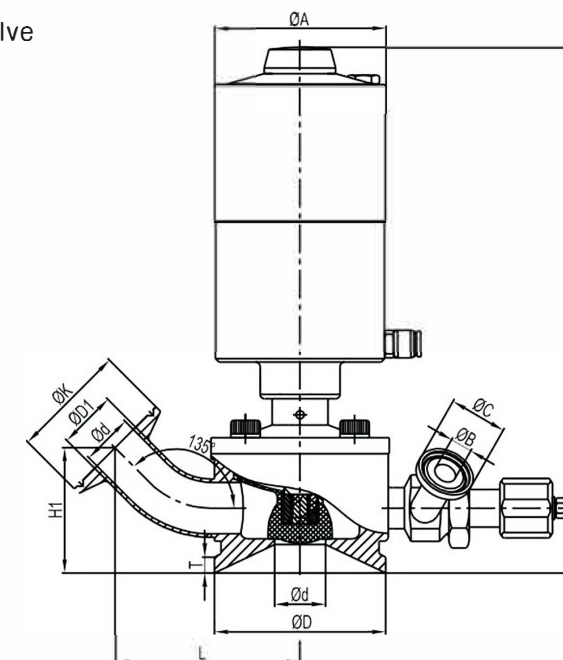
手动无菌罐底阀
Manual sterile tank bottom valve



JO-1027

SIZE	d	D1	D	K	L	B	C	T	H1	H
1"	22.4	25.4	75	50.5	81	9.5	25.4	7	54	116
1.25"	28.8	31.8	85	50.5	93	9.5	25.4	7	67	129
1.5"	35.1	38.1	85	50.5	100	9.5	25.4	7	67	129
2"	47.8	50.8	110	64	123	9.5	25.4	7	80	148

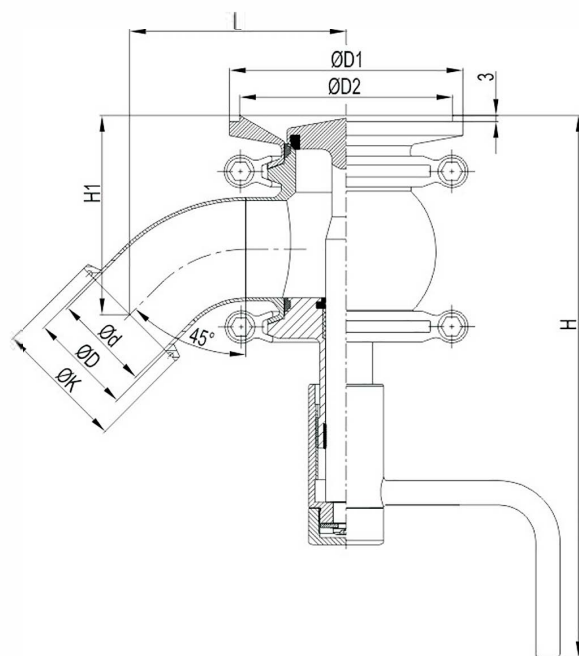
气动无菌罐底阀
Pneumatic sterile tank bottom valve



JO-1028

SIZE	d	D1	D	K	L	A	B	C	T	H1	H
1"	22.4	25.4	75	50.5	81	75	9.5	25.4	7	54	230
1.25"	28.8	31.8	85	50.5	93	86	9.5	25.4	7	67	261
1.5"	35.1	38.1	85	50.5	100	86	9.5	25.4	7	67	261
2"	47.8	50.8	110	64	123	108	9.5	25.4	7	80	320

球型手动罐底阀
Ball manual tank bottom valve



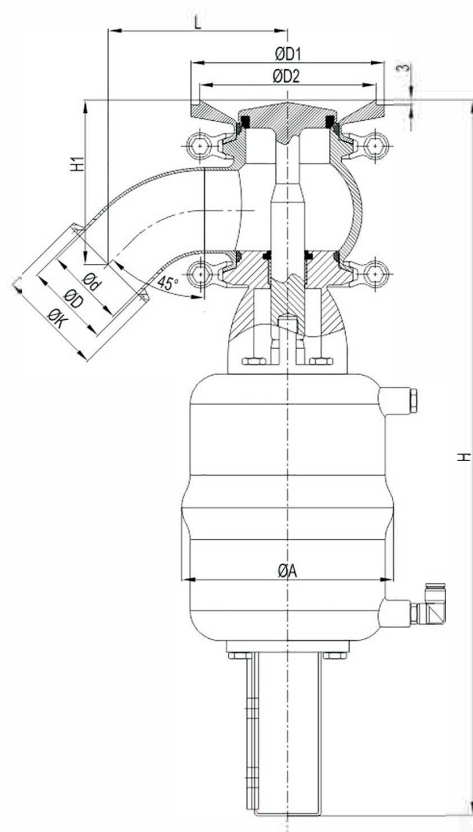
JO-1029

SIZE	d	D	K	L	H1	D1	D2	H
1.5"	35.1	38.1	50.5	86	94	100	94	256
2"	47.8	50.8	64	106	98	115	105	267
2.5"	59.5	63.5	77.5	128	116	150	140	293
3"	72.2	76.2	91	154	130	170	160	327
3.5"	84.9	88.9	106	174	140	185	175	342
4"	97.6	101.6	119	239	182	200	190	369

JO-1030

SIZE	d	D	K	L	H1	D1	D2	H
DN40	37	40	50.5	94	97	100	94	256
DN50	49	52	64	113	101	115	105	267
DN65	66	70	91	142	121	170	160	319
DN80	81	85	106	165	138	185	175	342
DN100	100	104	119	200	154	200	190	369

球型气动罐底阀
Ball pneumatic tank bottom valve



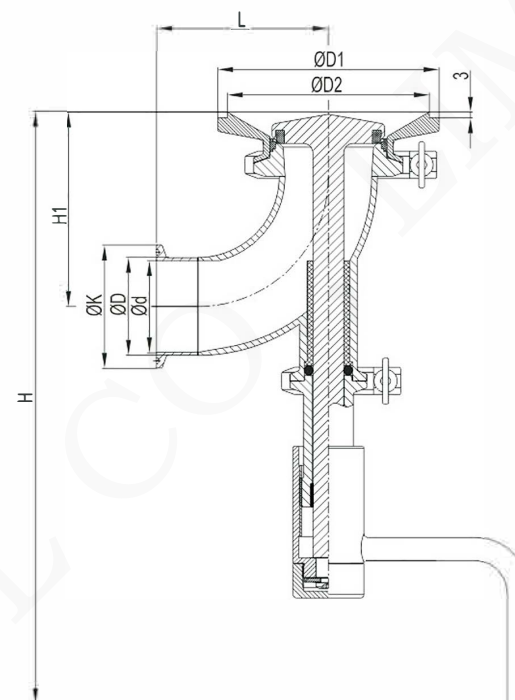
JO-1031

SIZE	d	D	K	L	H1	D1	D2	A	H
1.5"	35.1	38.1	50.5	86	94	100	94	85	400
2"	47.8	50.8	64	106	98	115	105	126	427
2.5"	59.5	63.5	77.5	128	116	150	140	126	445
3"	72.2	76.2	91	154	130	170	160	126	464
3.5"	84.9	88.9	106	174	140	185	175	133	510
4"	97.6	101.6	119	239	182	200	190	151	533

JO-1032

SIZE	d	D	K	L	H1	D1	D2	A	H
DN40	37	40	50.5	94	97	100	94	85	400
DN50	49	52	64	113	101	115	105	126	427
DN65	66	70	91	142	121	170	160	126	456
DN80	81	85	106	165	138	185	175	133	510
DN100	100	104	119	200	154	200	190	151	533

弯头型手动罐底阀
Elbow type manual tank bottom valve



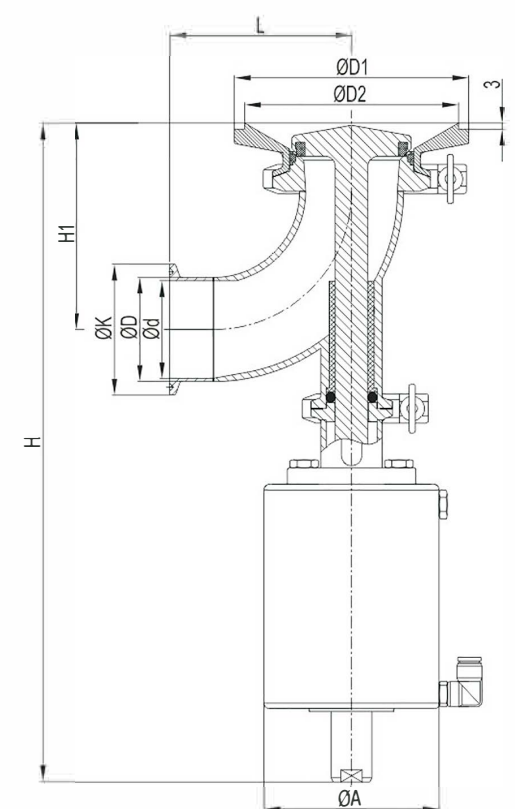
JO-1033

SIZE	d	D	K	L	H1	D1	D2	H
1.5"	35.1	38.1	50.5	67	80	100	94	280
2"	47.8	50.8	64	89	100	115	105	308
2.5"	59.5	63.5	77.5	100	118	150	140	330
3"	72.2	76.2	91	113	131	170	160	344
3.5"	84.9	88.9	106	125	146	185	175	396
4"	97.6	101.6	119	148	181	200	190	442

JO-1034

SIZE	d	D	K	L	H1	D1	D2	H
DN40	37	40	50.5	67	80	100	94	280
DN50	49	52	64	89	100	115	105	308
DN65	66	70	91	113	131	170	160	344
DN80	81	85	106	111	133	185	175	396
DN100	100	104	119	121	154	200	190	442

弯头型气动罐底阀
Elbow type pneumatic tank bottom valve



JO-1035

SIZE	d	D	K	L	H1	D1	D2	A	H
1.5"	35.1	38.1	50.5	67	80	100	94	86	295
2"	47.8	50.8	64	89	100	115	105	86	323
2.5"	59.5	63.5	77.5	100	118	150	140	86	396
3"	72.2	76.2	91	113	131	170	160	108	452
3.5"	84.9	88.9	106	125	146	185	175	133	483
4"	97.6	101.6	119	148	181	200	190	133	556

JO-1036

SIZE	d	D	K	L	H1	D1	D2	A	H
DN40	37	40	50.5	67	80	100	94	86	295
DN50	49	52	64	89	100	115	105	86	323
DN65	66	70	91	113	131	170	160	108	452
DN80	81	85	106	111	133	185	175	133	483
DN100	100	104	119	121	154	200	190	133	556