



## 安全阀

### 应用

公司生产多种形式结构的安全阀、调压阀，广泛适用于食品、饮料、乳制品、啤酒等行业。

### 结构形成及其特点

- ◆ 具有结构简单、造型美观、调压快捷、维护方便等一系列优点
- ◆ 压力控制具有可调性，可在全范围内任意调节
- ◆ 阀体材料选用不锈钢制成，表面光亮洁净，密封件采用特制食品橡胶制成，产品符合卫生规范
- ◆ 安装时应注意流体输入流向，不得反向输入

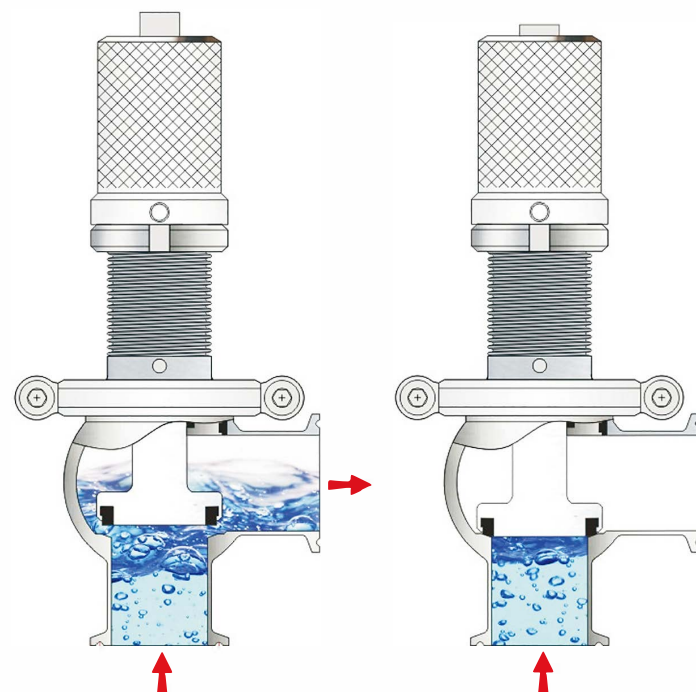
### 技术参数

- ◆ 工作压力： $\leq 6\text{bar}$
- ◆ 控制压力范围： $0.5 \sim 6\text{bar}$
- ◆ 公称通径：DN25~DN100
- ◆ 密封形式：食品橡胶或金属
- ◆ 介质温度： $-10^{\circ}\text{C} \sim +120^{\circ}\text{C}$
- ◆ 工作介质：液体物料、气体

### Safety valve

### Application

JO Multi-Structure Safety Valve and pressure-Regulator valve are widely used in Food, Beverage, Dairy and Beer Industry.



### Structure style and features

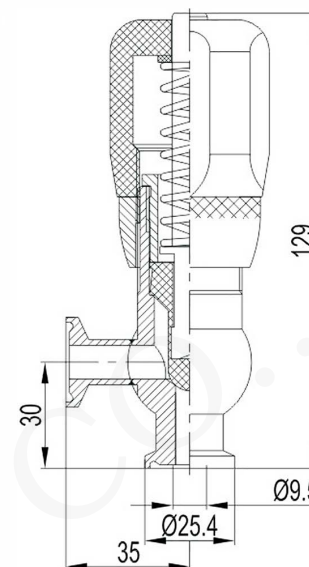
- ◆ Featuring Simple Structure, Attractive Appearance, Quick Pressure Adjustment, Convenient Maintenance
- ◆ Adjustable Pressure Control, Random Adjustment in Full Range
- ◆ Acid-Proof Stainless Steel Valve Body, Bright and Cleaning Surface, Food Rubber Seat, the product meets Sanitary Requirement
- ◆ Pay Attention to Liquid Input Direction, Reversal input is Forbidden

### Technical parameter

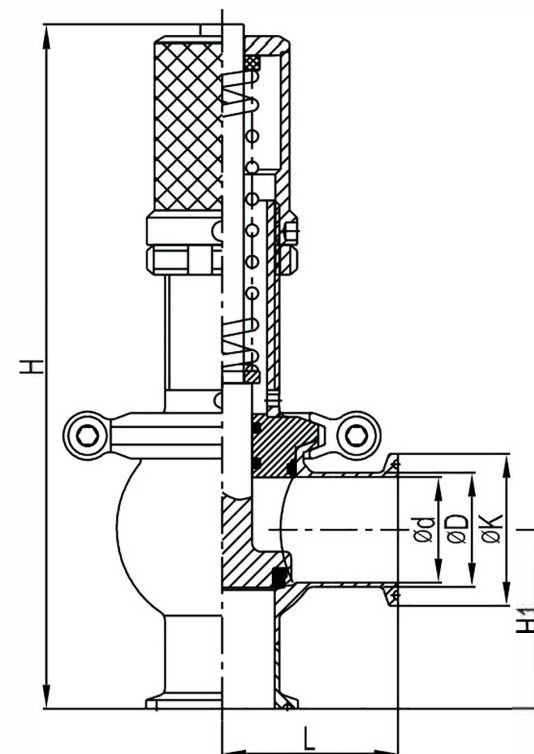
- ◆ Service Pressure:  $\leq 6\text{bar}$
- ◆ Pressure Control Range:  $0.5 \sim 6\text{bar}$
- ◆ Nominal Diameter: DN25~DN100
- ◆ Seal Style: Food Rubber or Metal
- ◆ Media Temp:  $-10^{\circ}\text{C} \sim 120^{\circ}\text{C}$
- ◆ Service Media: Liquid Material, Gas

无菌型安全阀(JO-M)  
Sterile safety valve (JO-M)

JO-1072



卫生型安全阀(JO-C)  
Sanitary safety valve (JO-C)



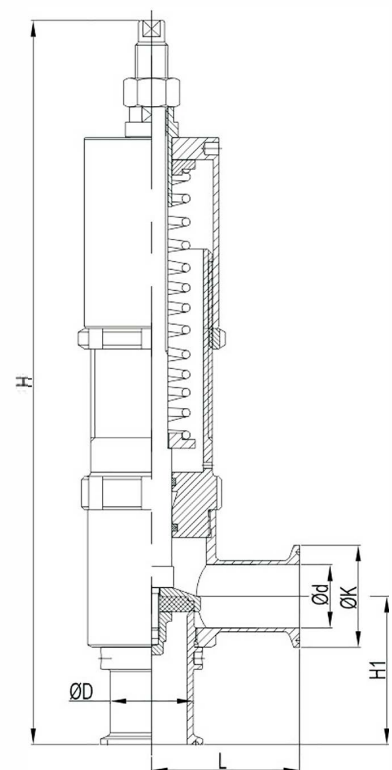
JO-1073

| SIZE  | d    | D     | K    | L   | H1  | H   |
|-------|------|-------|------|-----|-----|-----|
| 1"    | 22.4 | 25.4  | 50.5 | 61  | 61  | 227 |
| 1.25" | 28.8 | 31.8  | 50.5 | 61  | 61  | 227 |
| 1.5"  | 35.1 | 38.1  | 50.5 | 59  | 58  | 227 |
| 2"    | 47.8 | 50.8  | 64   | 66  | 66  | 270 |
| 2.5"  | 59.5 | 63.5  | 77.5 | 77  | 77  | 318 |
| 3"    | 72.2 | 76.2  | 91   | 97  | 97  | 351 |
| 3.5"  | 84.9 | 88.9  | 106  | 107 | 97  | 362 |
| 4"    | 97.6 | 101.6 | 119  | 135 | 127 | 399 |

JO-1074

| SIZE  | d   | D   | K    | L   | H1  | H   |
|-------|-----|-----|------|-----|-----|-----|
| DN25  | 25  | 28  | 50.5 | 61  | 61  | 227 |
| DN32  | 31  | 34  | 50.5 | 61  | 61  | 227 |
| DN40  | 37  | 40  | 50.5 | 59  | 58  | 227 |
| DN50  | 49  | 52  | 64   | 66  | 66  | 270 |
| DN65  | 66  | 70  | 91   | 97  | 97  | 351 |
| DN80  | 81  | 85  | 106  | 107 | 97  | 362 |
| DN100 | 100 | 104 | 119  | 135 | 127 | 399 |

卫生型安全阀(JO-E)  
Sanitary safety valve (JO-E)



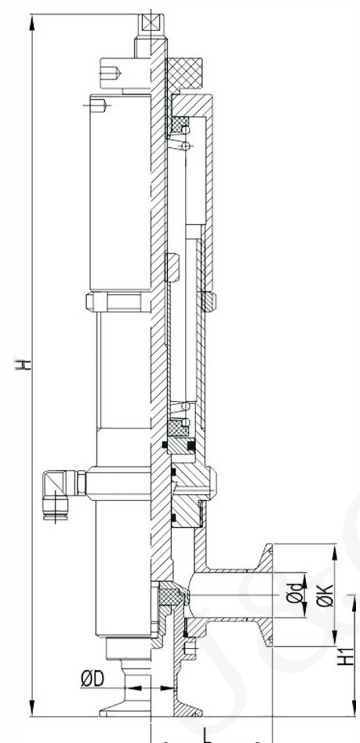
J0-1075

| SIZE  | d    | D    | K    | L  | H1 | H   |
|-------|------|------|------|----|----|-----|
| 1"    | 22.4 | 25.4 | 50.5 | 68 | 68 | 354 |
| 1.25" | 28.8 | 31.8 | 50.5 | 68 | 72 | 354 |
| 1.5"  | 35.1 | 38.1 | 50.5 | 74 | 76 | 356 |
| 2"    | 47.8 | 50.8 | 64   | 79 | 83 | 374 |

J0-1076

| SIZE | d  | D  | K    | L  | H1   | H   |
|------|----|----|------|----|------|-----|
| DN25 | 25 | 28 | 50.5 | 68 | 69.3 | 354 |
| DN32 | 31 | 34 | 50.5 | 68 | 73   | 354 |
| DN40 | 37 | 40 | 50.5 | 74 | 77   | 356 |
| DN50 | 49 | 52 | 64   | 79 | 83.6 | 374 |

手、自、气一体安全阀  
Manual, automatic, pneumatic safety valve



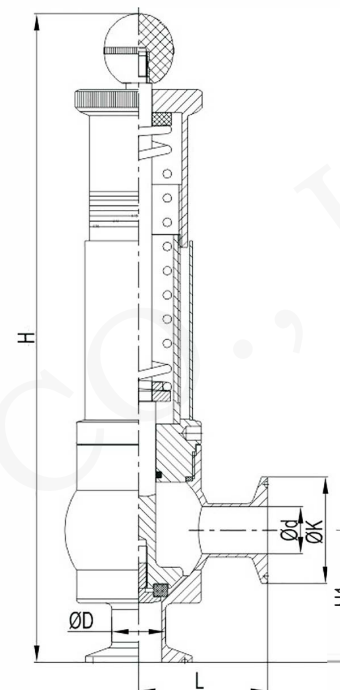
J0-1077

| SIZE  | d    | D    | K    | L  | H1 | H   |
|-------|------|------|------|----|----|-----|
| 1"    | 22.4 | 25.4 | 50.5 | 68 | 68 | 354 |
| 1.25" | 28.8 | 31.8 | 50.5 | 68 | 72 | 354 |
| 1.5"  | 35.1 | 38.1 | 50.5 | 74 | 76 | 356 |
| 2"    | 47.8 | 50.8 | 64   | 79 | 83 | 374 |

J0-1078

| SIZE | d  | D  | K    | L  | H1   | H   |
|------|----|----|------|----|------|-----|
| DN25 | 25 | 28 | 50.5 | 68 | 69.3 | 354 |
| DN32 | 31 | 34 | 50.5 | 68 | 73   | 354 |
| DN40 | 37 | 40 | 50.5 | 74 | 77   | 356 |
| DN50 | 49 | 52 | 64   | 79 | 83.6 | 374 |

刻度调节型安全阀(J0-L)  
Adjustable safety valve(J0-L)



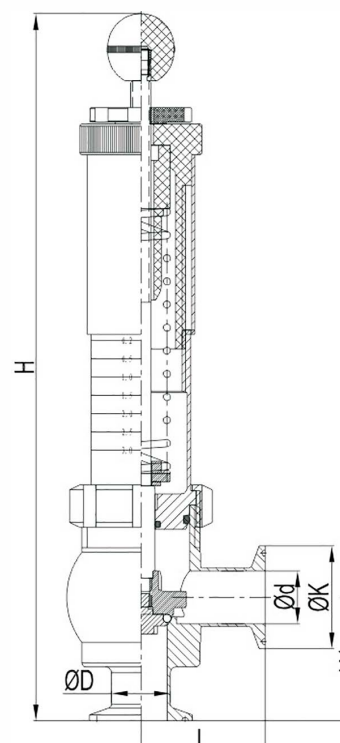
J0-1079

| SIZE  | d    | D    | K    | L  | H1 | H   |
|-------|------|------|------|----|----|-----|
| 1"    | 22.4 | 25.4 | 50.5 | 61 | 61 | 308 |
| 1.25" | 28.8 | 31.8 | 50.5 | 61 | 61 | 308 |
| 1.5"  | 35.1 | 38.1 | 50.5 | 61 | 61 | 308 |
| 2"    | 47.8 | 50.8 | 64   | 79 | 83 | 318 |

J0-1080

| SIZE | d  | D  | K    | L  | H1 | H   |
|------|----|----|------|----|----|-----|
| DN25 | 25 | 28 | 50.5 | 61 | 61 | 308 |
| DN32 | 31 | 34 | 50.5 | 61 | 61 | 308 |
| DN40 | 37 | 40 | 50.5 | 61 | 61 | 308 |
| DN50 | 49 | 52 | 64   | 66 | 66 | 318 |

刻度调节型安全阀(J0-A)  
Adjustable safety valve (J0-A)



J0-1081

| SIZE  | d    | D    | K    | L  | H1 | H   |
|-------|------|------|------|----|----|-----|
| 1"    | 22.4 | 25.4 | 50.5 | 61 | 61 | 348 |
| 1.25" | 28.8 | 31.8 | 50.5 | 61 | 61 | 348 |
| 1.5"  | 35.1 | 38.1 | 50.5 | 61 | 61 | 348 |

J0-1082

| SIZE | d  | D  | K    | L  | H1 | H   |
|------|----|----|------|----|----|-----|
| DN25 | 25 | 28 | 50.5 | 61 | 61 | 348 |
| DN32 | 31 | 34 | 50.5 | 61 | 61 | 348 |
| DN40 | 37 | 40 | 50.5 | 61 | 61 | 348 |

## 排气阀

这种自动排气阀采用一个双阀座的阀门，装有一个自由活动的塑料球。塑料球比水轻，能够根据压力条件来关闭上下阀座。此阀垂直安装在管道或容器的顶部或安装在泵进口之处，按需清除空气。

### 材质

- ◆ 上下阀座：不锈钢304
- ◆ 阀球：聚丙烯
- ◆ 密封环：EPDM
- ◆ 光洁度：抛光

### 技术数据

- ◆ 口径范围：1"~1.5"
- ◆ 最大产品压力：1.0MPa
- ◆ 最高温度：90℃（由于阀球是塑料球）
- ◆ 阀球密度：0.906kg/dm<sup>3</sup>

## Exhaust Valve

The automatic exhaust valve adopts a double seat valve, fitted with a free plastic ball. Plastic ball is lighter than water, according to the condition of pressure to close the valve seat. This valve is mounted vertically in a pipeline or container top or installed in the pump inlet, on-demand air removal.

### Material

- ◆ Upper and lower seat: stainless steel 304
- ◆ Valve ball: Polypropylene
- ◆ Sealing ring: EPDM
- ◆ Finish: polished

### Technical Data

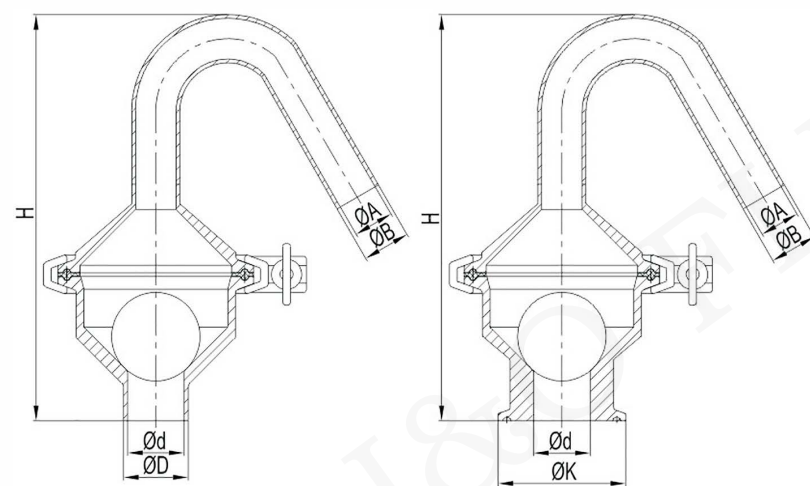
- ◆ OD Range: 1"~1.5"
- ◆ Maximum pressure: 1.0MPa
- ◆ Maximum temperature: 90℃ (because the valve ball is a plastic ball)
- ◆ Valve ball density: 0.906kg/dm<sup>3</sup>

JO-1083

| SIZE  | d    | D    | K    | A    | B    | H   |
|-------|------|------|------|------|------|-----|
| 0.75" | 16.1 | 19.1 | 50.5 | 16.1 | 19.1 | 148 |
| 1"    | 22.4 | 25.4 | 50.5 | 16.1 | 19.1 | 160 |
| 1.5"  | 35.1 | 38.1 | 50.5 | 16.1 | 19.1 | 160 |

JO-1084

| SIZE | d  | D  | K    | A    | B    | H   |
|------|----|----|------|------|------|-----|
| DN20 | 19 | 22 | 50.5 | 16.1 | 19.1 | 148 |
| DN25 | 25 | 28 | 50.5 | 16.1 | 19.1 | 160 |
| DN40 | 37 | 40 | 50.5 | 16.1 | 19.1 | 160 |



## 水封式排气阀

Water seal type exhaust valve

该款排气阀外部套有透明玻璃罩，可在玻璃罩内加入水，液位漫过排气口即可，在泄压时，可及时发现气泡。阀门处于常闭状态，带有压力刻度调节功能，可根据不同工况需求调节设置范围内压力。

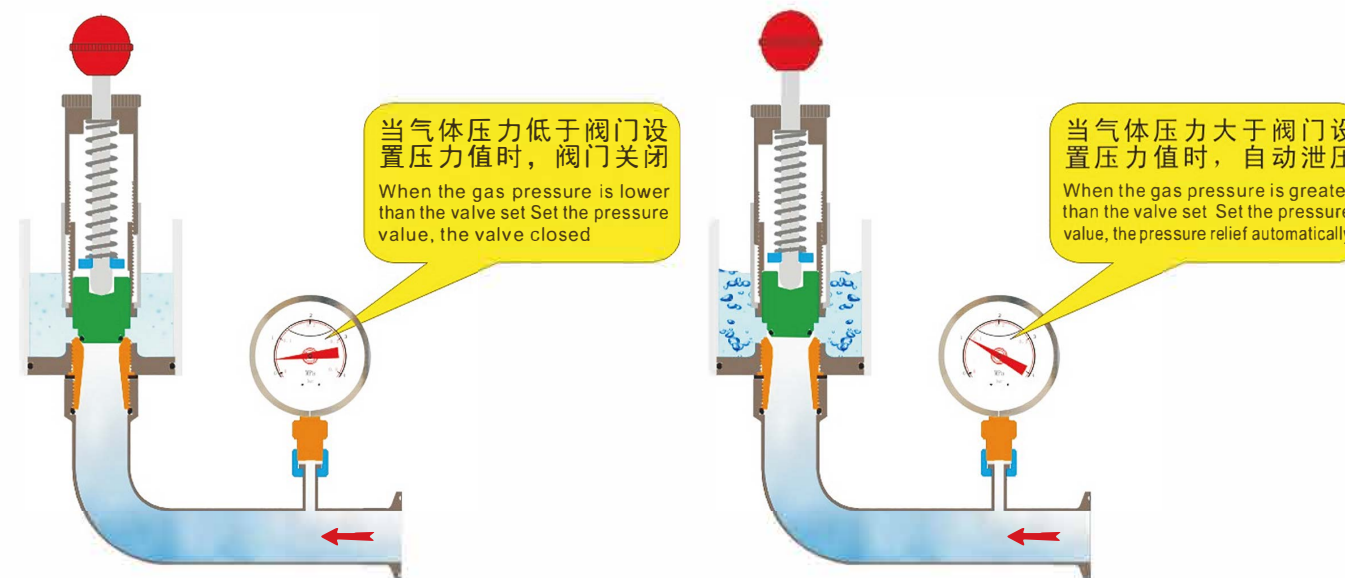
The exhaust valve outside the cover with a transparent glass cover, glass can be added within the water, the liquid level can diffuse through the exhaust port, when the pressure relief, can be found in time bubbles. Valve is normally closed, with pressure scale adjustment function, according to the needs of different conditions to adjust the pressure within the set range.

### 技术参数

- ◆ 控制压力范围：0.2~2.2bar
- ◆ 公称通径：1"~1.5" DN25~DN40
- ◆ 密封形式：食品橡胶
- ◆ 介质温度：-10℃~+90℃
- ◆ 工作介质：气体

### Technical parameter

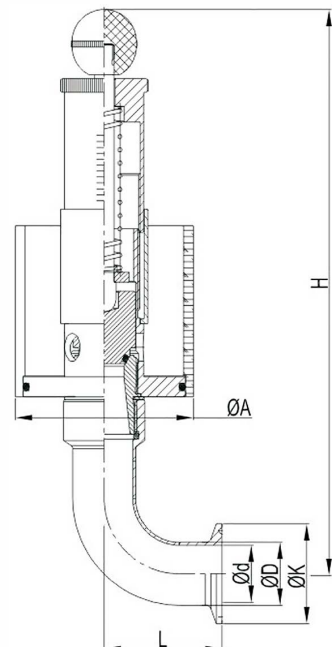
- ◆ Pressure Control Range: 0.2~2.2bar
- ◆ Nominal Diameter: 1"~1.5" DN25~DN40
- ◆ Seal Style: Food Rubber
- ◆ Media Temp: -10℃~90℃
- ◆ Service Media: Gas



当气体压力低于阀门设置压力值时，阀门关闭  
When the gas pressure is lower than the valve set Set the pressure value, the valve closed

当气体压力大于阀门设置压力值时，自动泄压  
When the gas pressure is greater than the valve set Set the pressure value, the pressure relief automatically

水封式排气阀 (JO-L)  
Water seal type exhaust valve (JO-L)



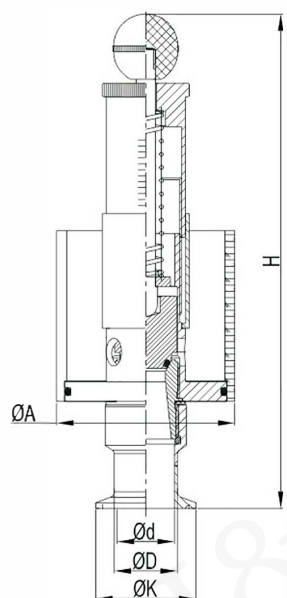
JO-1085

| SIZE  | d    | D    | K    | A  | L  | H   |
|-------|------|------|------|----|----|-----|
| 1"    | 22.4 | 25.4 | 50.5 | 90 | 55 | 286 |
| 1.25" | 28.8 | 31.8 | 50.5 | 90 | 60 | 286 |
| 1.5"  | 35.1 | 38.1 | 50.5 | 90 | 70 | 286 |

JO-1086

| SIZE | d  | D  | K    | A  | L  | H   |
|------|----|----|------|----|----|-----|
| DN25 | 25 | 28 | 50.5 | 90 | 71 | 286 |
| DN32 | 31 | 34 | 50.5 | 90 | 76 | 286 |
| DN40 | 37 | 40 | 50.5 | 90 | 81 | 294 |

水封式排气阀 (JO-I)  
Water seal type exhaust valve (JO-I)



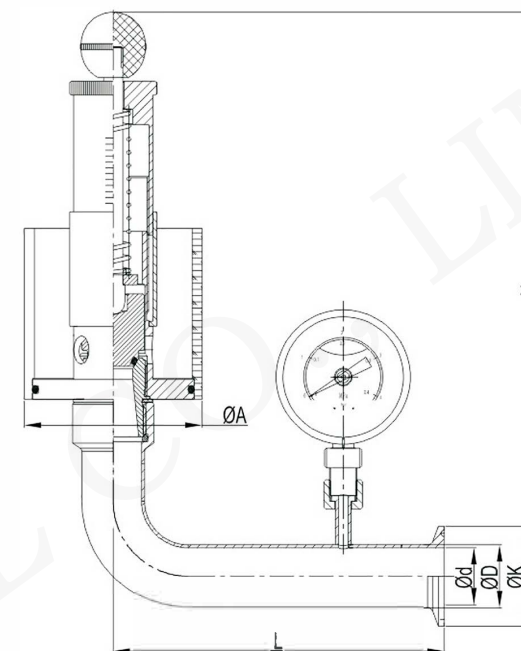
JO-1087

| SIZE  | d    | D    | K    | A  | H   |
|-------|------|------|------|----|-----|
| 1"    | 22.4 | 25.4 | 50.5 | 90 | 250 |
| 1.25" | 28.8 | 31.8 | 50.5 | 90 | 250 |
| 1.5"  | 35.1 | 38.1 | 50.5 | 90 | 258 |

JO-1088

| SIZE | d  | D  | K    | A  | H   |
|------|----|----|------|----|-----|
| DN25 | 25 | 28 | 50.5 | 90 | 257 |
| DN32 | 31 | 34 | 50.5 | 90 | 252 |
| DN40 | 37 | 40 | 50.5 | 90 | 255 |

水封式排气阀 (JO-LW)  
Water seal type exhaust valve (JO-LW)



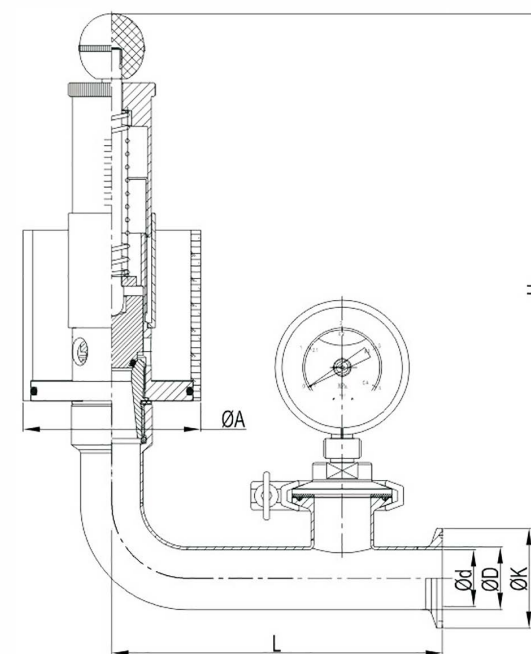
JO-1089

| SIZE  | d    | D    | K    | A  | L   | H   |
|-------|------|------|------|----|-----|-----|
| 1"    | 22.4 | 25.4 | 50.5 | 90 | 167 | 286 |
| 1.25" | 28.8 | 31.8 | 50.5 | 90 | 167 | 286 |
| 1.5"  | 35.1 | 38.1 | 50.5 | 90 | 167 | 286 |

JO-1090

| SIZE | d  | D  | K    | A  | L   | H   |
|------|----|----|------|----|-----|-----|
| DN25 | 25 | 28 | 50.5 | 90 | 167 | 286 |
| DN32 | 31 | 34 | 50.5 | 90 | 167 | 286 |
| DN40 | 37 | 40 | 50.5 | 90 | 167 | 294 |

水封式排气阀 (JO-LG)  
Water seal type exhaust valve (JO-LG)



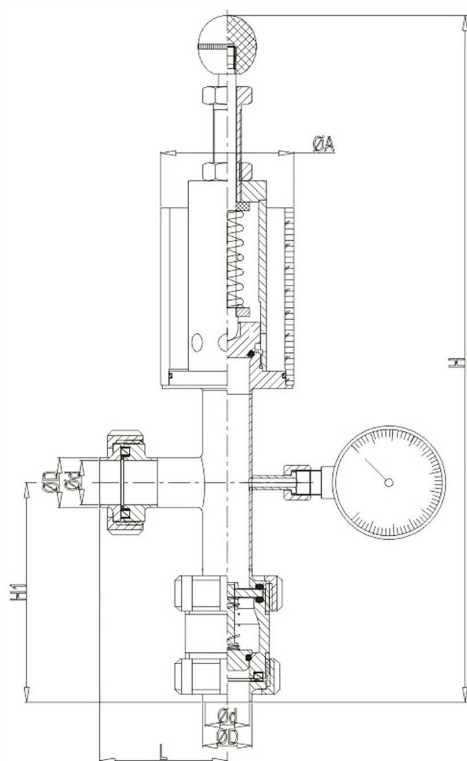
JO-1091

| SIZE  | d    | D    | K    | A  | L   | H   |
|-------|------|------|------|----|-----|-----|
| 1"    | 22.4 | 25.4 | 50.5 | 90 | 167 | 286 |
| 1.25" | 28.8 | 31.8 | 50.5 | 90 | 167 | 286 |
| 1.5"  | 35.1 | 38.1 | 50.5 | 90 | 167 | 286 |

JO-1092

| SIZE | d  | D  | K    | A  | L   | H   |
|------|----|----|------|----|-----|-----|
| DN25 | 25 | 28 | 50.5 | 90 | 167 | 286 |
| DN32 | 31 | 34 | 50.5 | 90 | 167 | 286 |
| DN40 | 37 | 40 | 50.5 | 90 | 167 | 294 |

水封式排气阀(JO-H)  
Water seal type exhaust valve (JO-H)



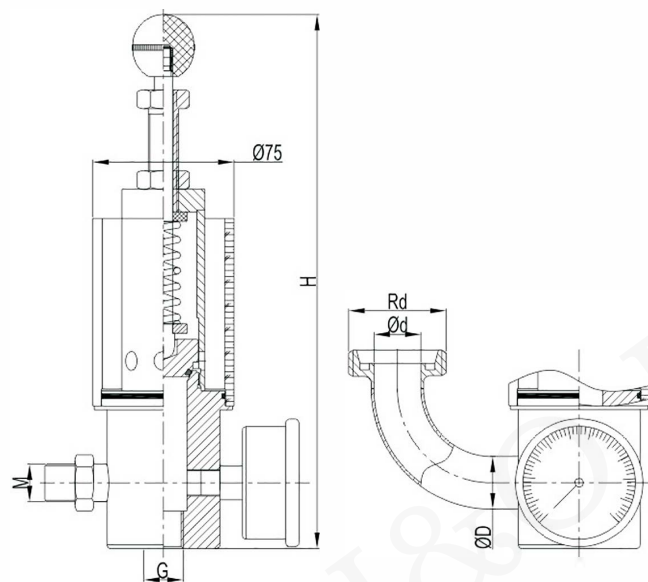
J0-1093

| SIZE  | d    | D    | A  | L  | H1  | H   |
|-------|------|------|----|----|-----|-----|
| 1"    | 22.4 | 25.4 | 75 | 72 | 124 | 286 |
| 1.25" | 28.8 | 31.8 | 75 | 72 | 124 | 286 |

J0-1094

| SIZE | d  | D  | A  | L  | H1  | H   |
|------|----|----|----|----|-----|-----|
| DN25 | 25 | 28 | 75 | 72 | 124 | 286 |
| DN32 | 31 | 34 | 75 | 72 | 124 | 286 |

水封式排气阀(JO-G)  
Water seal type exhaust valve (JO-G)



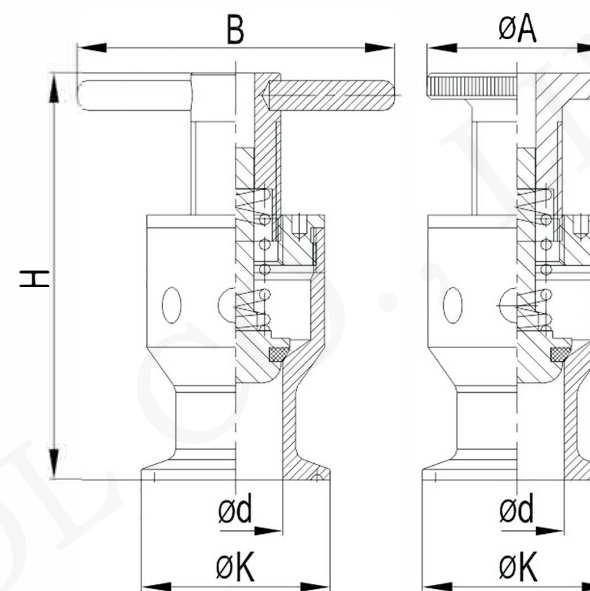
J0-1095

| SIZE  | d    | D    | Rd      | M      | G    | H   |
|-------|------|------|---------|--------|------|-----|
| 1"    | 22.4 | 25.4 | 40x1/6" | 20x1.5 | 1/2" | 285 |
| 1.25" | 28.8 | 31.8 | 48x1/6" | 20x1.5 | 1/2" | 285 |

J0-1096

| SIZE | d  | D  | Rd      | M      | G    | H   |
|------|----|----|---------|--------|------|-----|
| DN25 | 25 | 28 | 52x1/6" | 20x1.5 | 1/2" | 285 |
| DN32 | 31 | 34 | 58x1/6" | 20x1.5 | 1/2" | 285 |

手动调节型排气阀(J0-I) Manual  
control exhaust valve (J0-I)



J0-1097

| SIZE  | d    | K    | A  | B  | H  |
|-------|------|------|----|----|----|
| 0.75" | 16.1 | 50.5 | 48 | 85 | 99 |
| 1"    | 22.4 | 50.5 | 48 | 85 | 99 |
| 1.25" | 28.8 | 50.5 | 48 | 85 | 99 |

J0-1098

| SIZE | d  | K    | A  | B  | H  |
|------|----|------|----|----|----|
| DN20 | 19 | 50.5 | 48 | 85 | 99 |
| DN25 | 25 | 50.5 | 48 | 85 | 99 |
| DN32 | 31 | 50.5 | 48 | 85 | 99 |



呼吸阀 Respiration valve

应用

该款呼吸阀可实现呼出、吸入双作用，有效的保护了容器和管道的系统安全。

阀芯密封

- ◆ 软密封 (EPDM或PTFE)

技术参数

- ◆ 正压值  $\leq 0.32\text{Mpa}$
- ◆ 真空值  $\leq -0.09\text{Mpa}$

Application

This type of breathing valve can realize double functions of exhalation and inhalation, effectively protecting the safety of container and pipeline system.

Valve core sealing

- ◆ Soft seals (EPDM or PTFE)

Technical parameters

- ◆ Positive pressure value  $\leq 0.32\text{Mpa}$
- ◆ Vacuum value  $\leq -0.09\text{Mpa}$



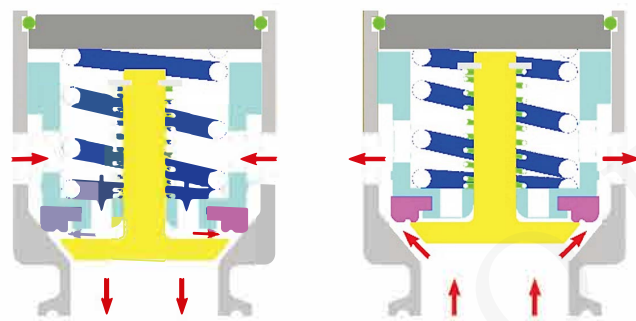
工作原理

当容器内正压力值大于阀门正压弹簧设定压力值时，阀门自动打开向容器外排气，当容器内正压力值低于阀门正压弹簧设定压力值时，阀门处于关闭状态；当容器内产生真空负压值大于阀门设置负压值时阀门将自动打开，向容器内吸气，当容器内产生真空负压值低于于阀门设置负压值时阀门处于关闭状态。

Working principle

When the positive pressure value in the container is greater than the pressure value set by the valve positive pressure spring, the valve will automatically open and exhaust to the outside of the container. When the positive pressure value in the container is lower than the pressure value set by the valve positive pressure spring, the valve will be in the closed state. When the vacuum negative pressure value in the container is greater than the value set by the valve, the valve will automatically open and inhale into the container. When the vacuum negative pressure value in the container is lower than the value set by the valve, the valve will be closed.

→ 气体流向 Gas flow



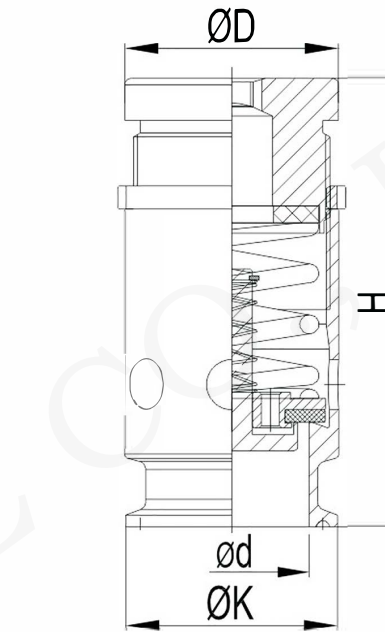
容器内真空值大于弹簧负压设定值时

The vacuum value in the container is greater than the set value of the spring negative pressure

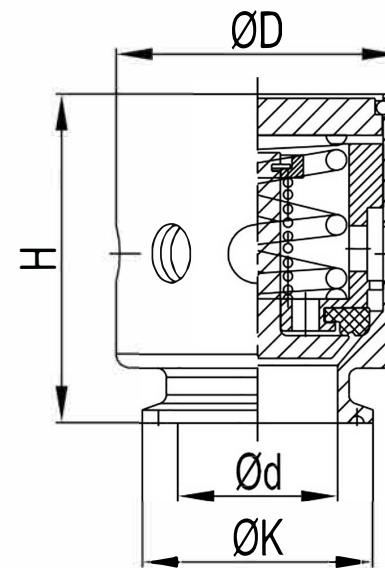
容器内正压值大于弹簧压力设定值时

When the positive pressure in the container is greater than the set spring pressure

调节型呼吸阀 (J0-T)  
Regulating type breathing valve (J0-T)



固定型呼吸阀 (J0-H)  
Fixed breathing valve (J0-H)



J0-1099

| SIZE  | d    | K    | D    | H   |
|-------|------|------|------|-----|
| 0.75" | 16.1 | 34   | 29.5 | 75  |
| 1"    | 22.4 | 34   | 29.5 | 75  |
| 1.5"  | 35.1 | 50.5 | 48.5 | 107 |
| 2"    | 47.8 | 64   | 48.5 | 107 |
| 2.5"  | 59.5 | 77.5 | 59   | 121 |

J0-1100

| SIZE | d    | K    | D    | H   |
|------|------|------|------|-----|
| DN20 | 16.1 | 34   | 29.5 | 75  |
| DN25 | 22.4 | 34   | 29.5 | 75  |
| DN40 | 35.1 | 50.5 | 48.5 | 107 |
| DN50 | 47.8 | 64   | 48.5 | 107 |

J0-1101

| SIZE | d    | K    | D  | H  |
|------|------|------|----|----|
| 1"   | 22.4 | 50.5 | 62 | 72 |
| 1.5" | 35.1 | 50.5 | 62 | 72 |
| 2"   | 47.8 | 64   | 62 | 72 |

J0-1102

| SIZE | d  | K    | D  | H  |
|------|----|------|----|----|
| DN25 | 25 | 50.5 | 62 | 72 |
| DN40 | 37 | 50.5 | 62 | 72 |
| DN50 | 49 | 64   | 62 | 72 |